

Select brand Product range Model name

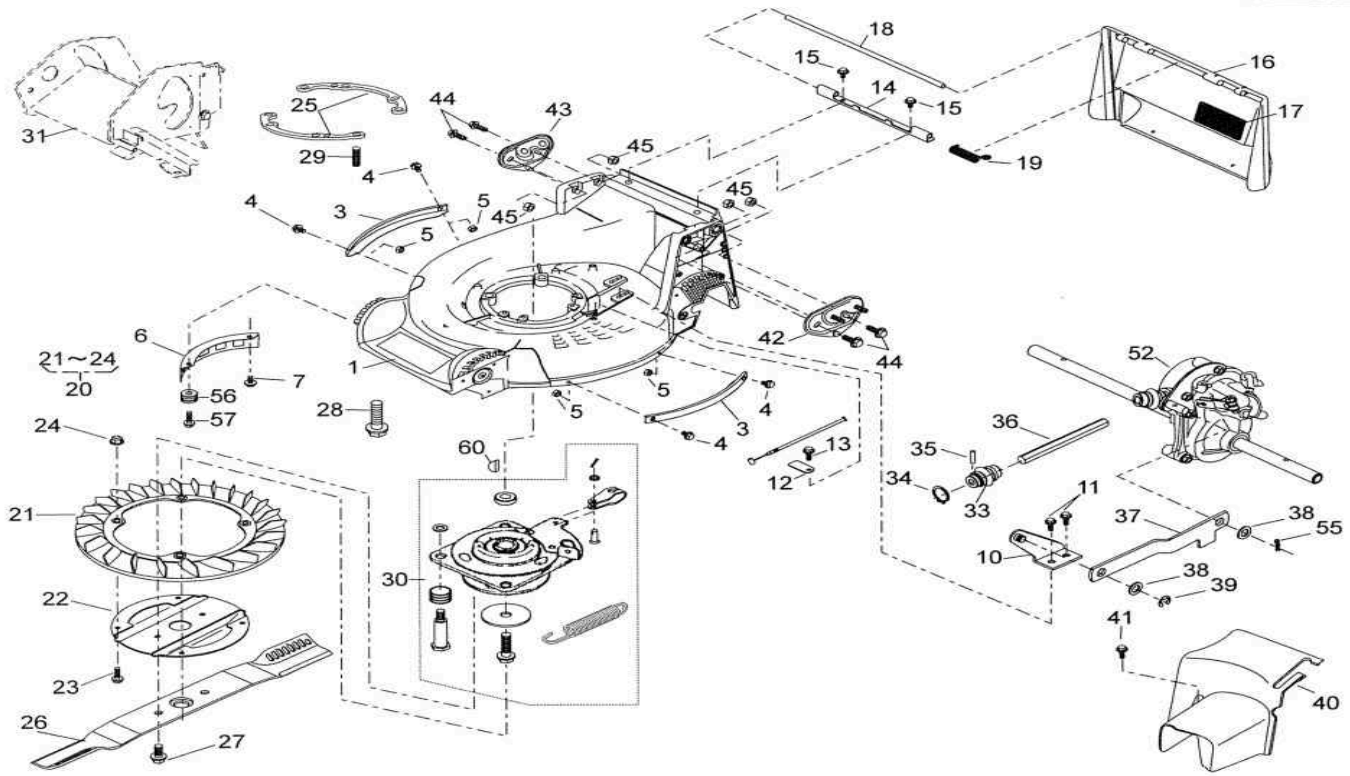
Select model code ..Choose section

Indicate component part ...Choose section

Indicate engine model ...Choose section

※Enter information in the green box to narrow down the search and then click the "Search" button.

| | | | |
|---------------|----------------------|-----------------------|------------|
| GRASS-CUTTING | Date : 01. Jan, 2010 | Revision : 00 | Page : 1/2 |
| Brand : ASUKA | Model : LM5360KXA | Product Code : 619169 | |



(A) LM5360KXA

- (B)
- (C)

| Ref.No | Parts.No | Parts.Name | (A)Q`ty | (B)Q`ty | (C)Q`ty | Remark |
|--------|--------------|---------------------|---------|---------|---------|--------|
| 1 | 51043-151-02 | HOUSING | 1 | | | |
| 3 | 51090-117-09 | PROTECTOR | 2 | | | |
| 4 | 335L0616 | FLANGE BOLT | 4 | | | |
| 5 | 512L0600 | HEXAGON NUT | 4 | | | |
| 6 | 36065-180 | COVER | 1 | | | |
| 7 | 342L0612 | FLANGE TAPPING BOLT | 1 | | | |
| 10 | 11006-155 | STAY C.P. | 1 | | | |
| 11 | 342L0612 | FLANGE TAPPING BOLT | 2 | | | |
| 12 | 11113-407 | STAY | 1 | | | |
| 13 | 342L0612 | FLANGE TAPPING BOLT | 1 | | | |
| 14 | 11113-292 | STAY | 1 | | | |
| 15 | 342L0612 | FLANGE TAPPING BOLT | 2 | | | |
| 16 | 36068-196-49 | GUARD | 1 | | | |
| 17 | 36080-149 | RUBBER SHEET | 1 | | | |
| 18 | 64014-324 | SHAFT | 1 | | | |
| 19 | 68013-336 | SPRING | 1 | | | |
| 20 | 71082-111 | FAN ASS Y | 1 | | | |
| 21 | 51125-103 | FAN | 1 | | | |
| 22 | 11102-151 | HOLDER | 1 | | | |
| 23 | 31062-169 | PRE-COAT LOCK BOLT | 4 | | | |
| 24 | 579L0600 | FLANGE NUT | 4 | | | |
| 25 | 61024-209 | SPACER | 2 | | | |
| 26 | 91014-188 | BLADE | 1 | | | |
| 27 | 335M1020 | FLANGE BOLT | 2 | | | |
| 28 | 335L1045 | FLANGE BOLT | 3 | | | |
| 29 | 31039-116 | STUD | 1 | | | |
| 30 | 71182-111 | BRAKE SET (BBC) | 1 | | | |
| 33 | 91097-101 | UNIVERSAL JOINT | 1 | | | |
| 34 | 812V2000 | C-SNAP RING | 1 | | | |
| 35 | 717B0418 | PARALLEL PIN | 1 | | | |

Select brand Product range Model name

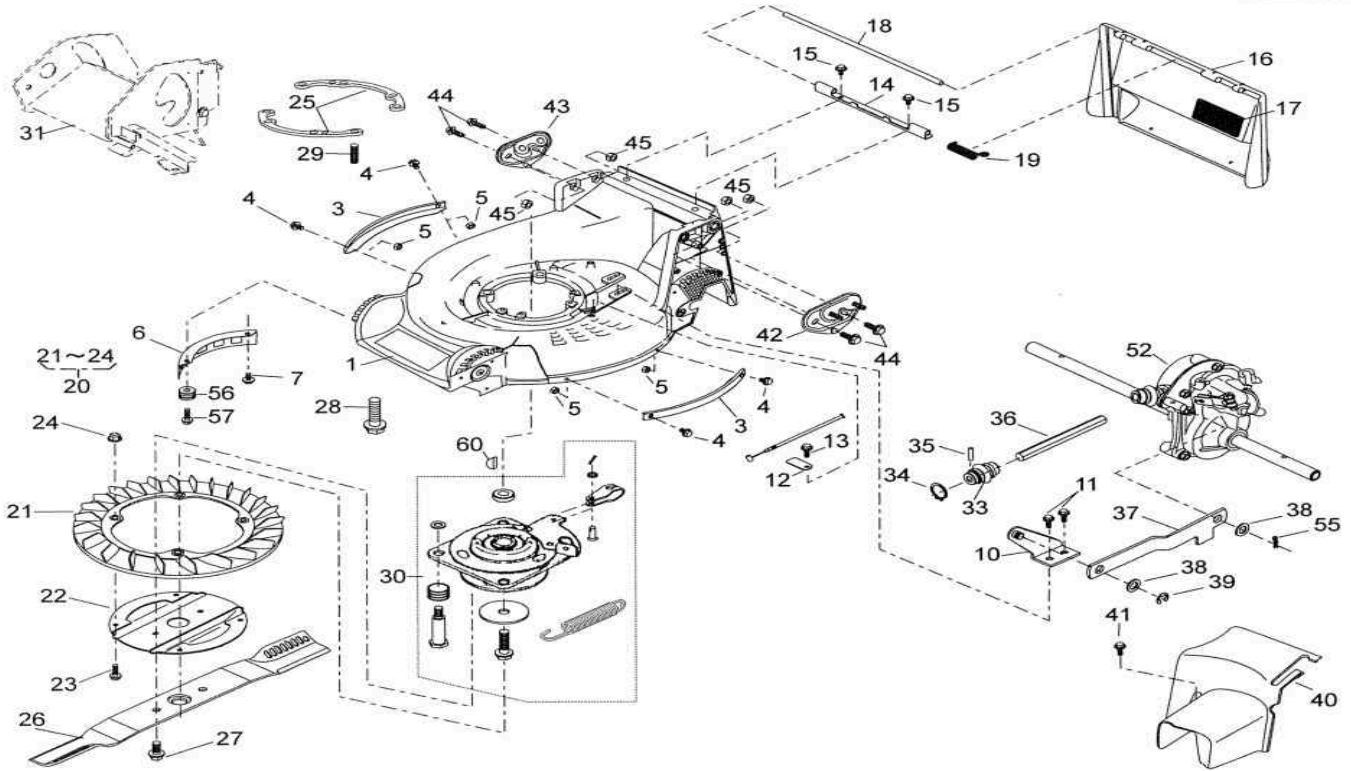
Select model code ..Choose section

Indicate component part ...Choose section

Indicate engine model Search ...Choose section

※Enter information in the green box to narrow down the search and then click the "Search" button.

| | | | |
|---------------|----------------------|-----------------------|------------|
| GRASS-CUTTING | Date : 01. Jan, 2010 | Revision : 00 | Page : 1/2 |
| Brand : ASUKA | Model : LM5360KXA | Product Code : 619169 | |



- (A) LM5360KXA
- (B)
- (C)

| | | | | | | |
|----|------------|----------------------|---|--|--|--|
| 36 | 64014-357 | SHAFT | 1 | | | |
| 37 | 91049-135 | CONNECTOR | 1 | | | |
| 38 | 68036-280 | WASHER (10.5x18x1.6) | 2 | | | |
| 39 | 816V0800 | E-SNAP RING | 1 | | | |
| 40 | 36065-438 | COVER | 1 | | | |
| 41 | 342L0616 | FLANGE TAPPING BOLT | 1 | | | |
| 42 | 51116-149 | HANDLE BRACKET | 1 | | | |
| 43 | 51116-150 | HANDLE BRACKET | 1 | | | |
| 44 | 31057-255 | BOLT (M8x25) | 4 | | | |
| 45 | 512L0800 | HEXAGON NUT | 4 | | | |
| 52 | 71008-343 | GEAR CASE ASS Y | 1 | | | |
| 55 | 733L1000 | SNAP PIN | 1 | | | |
| 56 | 11083-270 | COLLAR | 1 | | | |
| 57 | 342L0620 | FLANGE TAPPING BOLT | 1 | | | |
| 60 | 92038-2099 | KEY | 1 | | | |

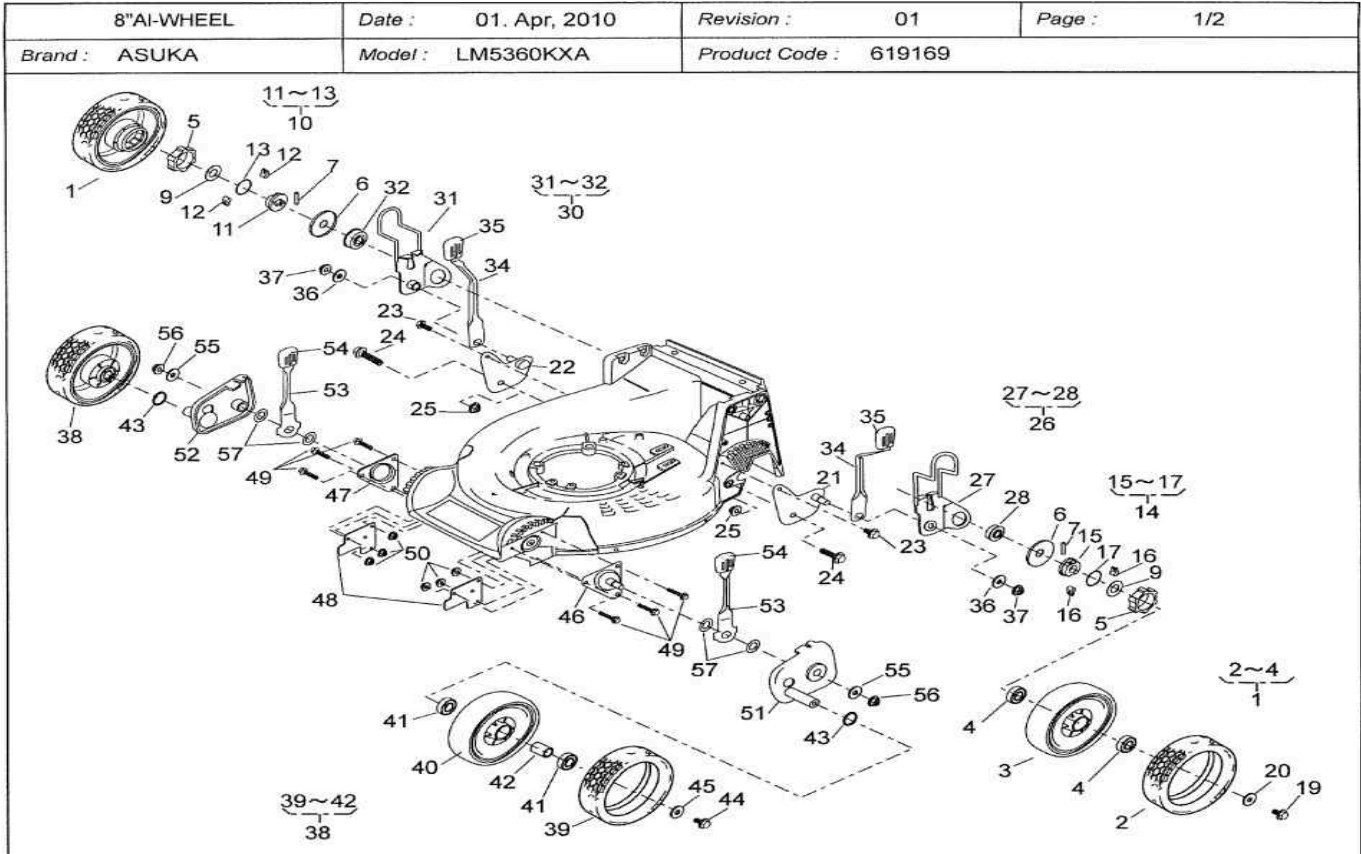
Select brand Product range Model name

Select model code ..Choose section < > Reset

Indicate component part ...Choose section < > Reset

Indicate engine model Choose. Search ...Choose section < > Reset

※Enter information in the green box to narrow down the search and then click the "Search" button.



(A) LM5360KXA

(B)

(C)

| Ref.No | Parts.No | Parts.Name | (A)Q'ty | (B)Q'ty | (C)Q'ty | Remark |
|--------|--------------|----------------------|---------|---------|---------|--------|
| 1 | 71041-136 | WHEEL ASS Y | 2 | | | |
| 2 | 91086-113 | TIRE | 2 | | | |
| 4 | 916B6002 | BEARING (6002DDC3) | 4 | | | |
| 5 | 11086-119 | STOPPER | 2 | | | |
| 6 | 61003-112 | THRUST PLATE | 2 | | | |
| 7 | 31034-137 | PIN | 2 | | | |
| 9 | 68036-146 | WASHER (16x31.5x1.0) | 2 | | | |
| 10 | 71158-104 | RATCHET ASS Y | 1 | | | |
| 11 | 11102-235 | HOLDER | 1 | | | |
| 12 | 31034-170 | PIN | 2 | | | |
| 13 | 68013-266 | SPRING | 1 | | | |
| 14 | 71158-103 | RATCHET ASS Y | 1 | | | |
| 15 | 11102-235 | HOLDER | 1 | | | |
| 16 | 31034-170 | PIN | 2 | | | |
| 17 | 68013-266 | SPRING | 1 | | | |
| 19 | 31057-181 | BOLT | 2 | | | |
| 20 | 68036-101 | WASHER (9x25x2.3) | 2 | | | |
| 21 | 11006-151 | STAY C.P. | 1 | | | |
| 22 | 11006-152 | STAY C.P. | 1 | | | |
| 23 | 342L0612 | FLANGE TAPPING BOLT | 2 | | | |
| 24 | 31057-255 | BOLT (M8x25) | 2 | | | |
| 25 | 584L0800 | U-FLANGE NUT | 2 | | | |
| 26 | 71122-112 | ADJUSTER ASS Y | 1 | | | |
| 27 | 11142-131 | ADJUSTER | 1 | | | |
| 28 | 945L0349 | BEARING (F-PC0349L) | 1 | | | |
| 30 | 71122-113 | ADJUSTER ASS Y | 1 | | | |
| 31 | 11142-132 | ADJUSTER | 1 | | | |
| 32 | 945L0349 | BEARING (F-PC0349L) | 1 | | | |
| 34 | 11150-105-09 | ADJUST LEVER | 2 | | | |
| 35 | 36061-121 | KNOB | 2 | | | |

Select brand ASUKA Product range Lawn Mower Model name LM5360KXA

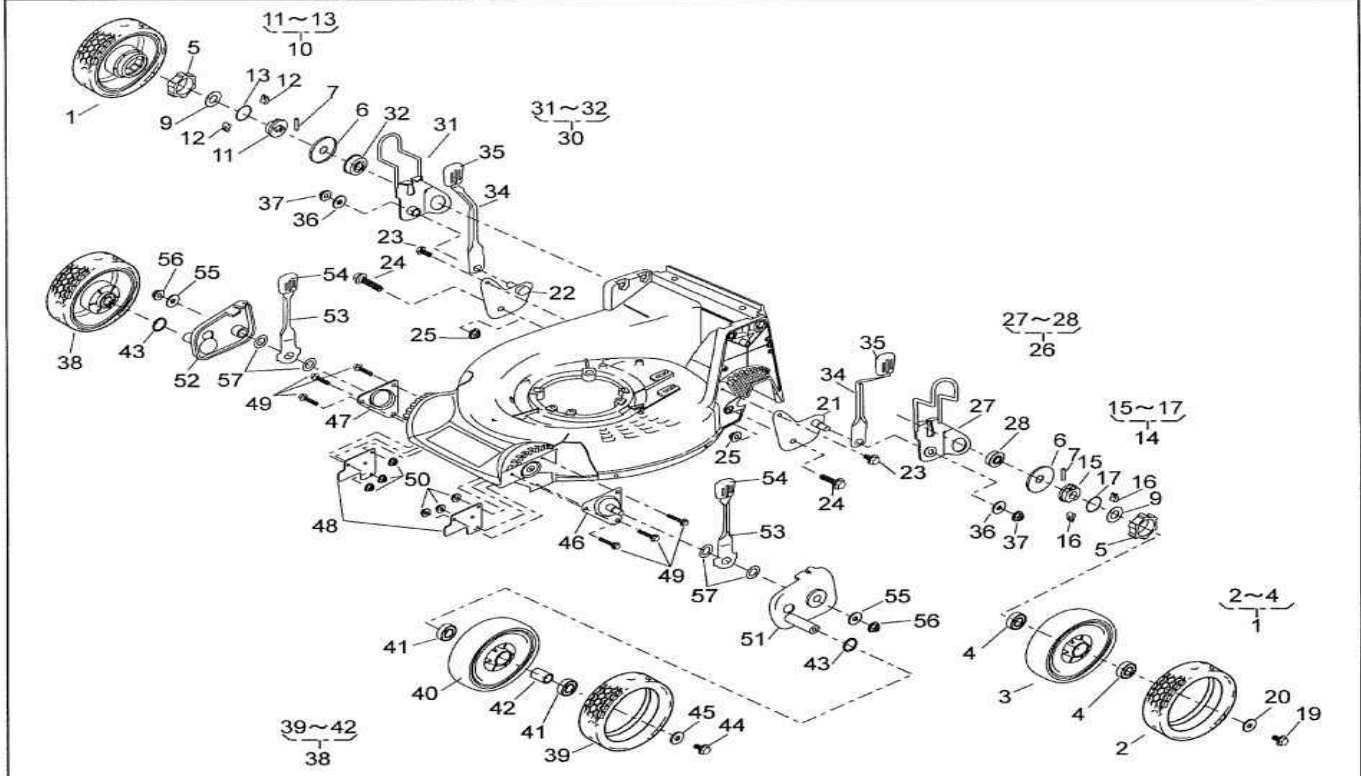
Select model code 619169 : LM5360KXA-169 RD ..Choose section 8"AI-WHEEL

Indicate component part ...Choose section

Indicate engine model Choose. ...Choose section

※Enter information in the green box to narrow down the search and then click the "Search" button.

| | | | |
|---------------|----------------------|-----------------------|------------|
| 8"AI-WHEEL | Date : 01. Apr, 2010 | Revision : 01 | Page : 1/2 |
| Brand : ASUKA | Model : LM5360KXA | Product Code : 619169 | |



(A) LM5360KXA

(B)
(C)

| | | | | | | |
|----|--------------|--------------------|---|--|--|--|
| 36 | 613L0800 | PLAIN WASHER | 2 | | | |
| 37 | 569L0800 | FLANGE NYLON NUT | 2 | | | |
| 38 | 71041-135 | WHEEL ASS Y | 2 | | | |
| 39 | 91086-113 | TIRE | 2 | | | |
| 41 | 916B6002 | BEARING (6002DDC3) | 4 | | | |
| 42 | 11083-332 | COLLAR | 2 | | | |
| 43 | 51113-119 | RING | 2 | | | |
| 44 | 31057-181 | BOLT | 2 | | | |
| 45 | 68036-101 | WASHER (9x25x2.3) | 2 | | | |
| 46 | 11006-153 | STAY C.P. | 1 | | | |
| 47 | 11006-154 | STAY C.P. | 1 | | | |
| 48 | 11113-409 | STAY | 2 | | | |
| 49 | 335L0625 | FLANGE BOLT | 6 | | | |
| 50 | 569L0600 | FLANGE NYLON NUT | 6 | | | |
| 51 | 11142-129 | ADJUSTER | 1 | | | |
| 52 | 11142-130 | ADJUSTER | 1 | | | |
| 53 | 11150-109-09 | ADJUST LEVER | 2 | | | |
| 54 | 36061-121 | KNOB | 2 | | | |
| 55 | 68036-101 | WASHER (9x25x2.3) | 2 | | | |
| 56 | 584L0800 | U-FLANGE NUT | 2 | | | |
| 57 | 68013-393 | SPRING | 4 | | | |

Select brand Product range Model name

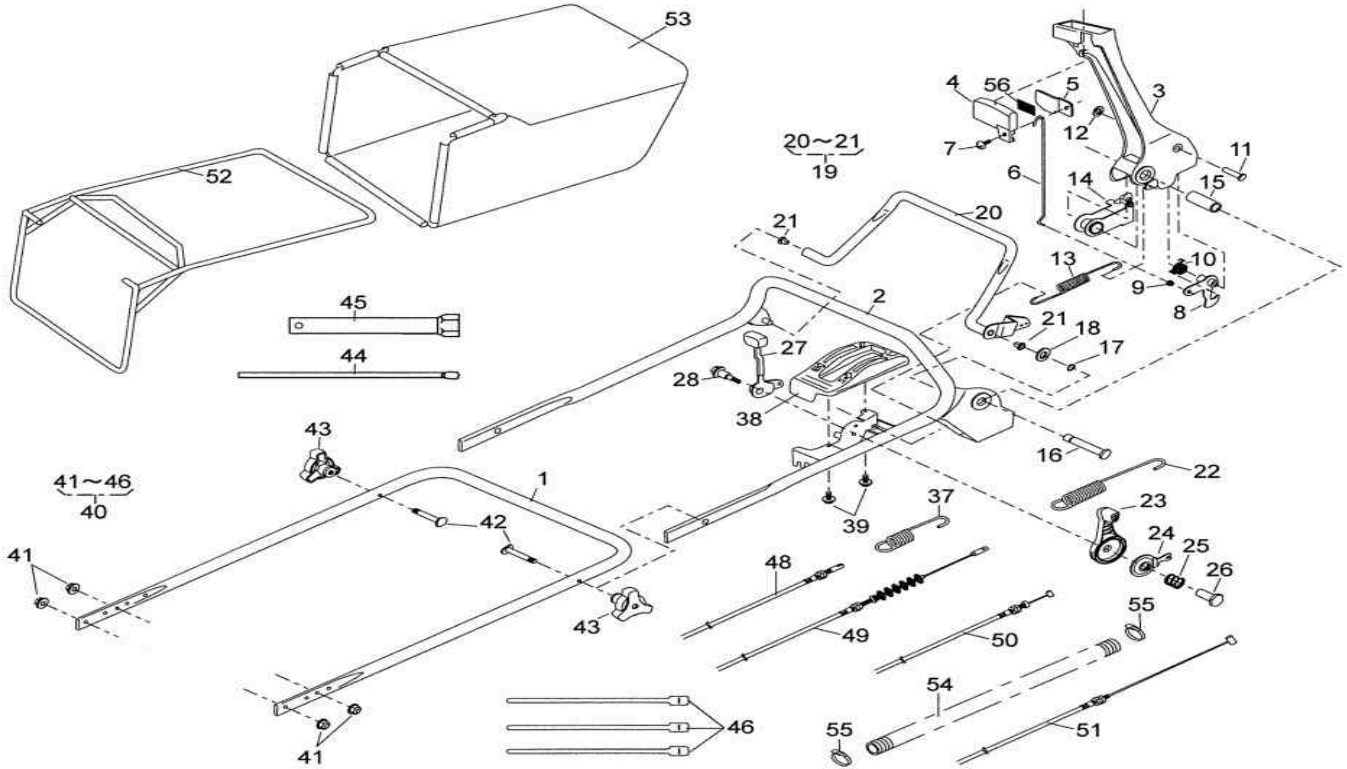
Select model code ..Choose section

Indicate component part ...Choose section

Indicate engine model ...Choose section

※Enter information in the green box to narrow down the search and then click the "Search" button.

| | | | |
|---------------|----------------------|-----------------------|------------|
| HANDLE | Date : 01. Feb, 2010 | Revision : 00 | Page : 1/2 |
| Brand : ASUKA | Model : LM5360KXA | Product Code : 619169 | |



(A) LM5360KXA

(B)

(C)

| Ref.No | Parts.No | Parts.Name | (A)Q'ty | (B)Q'ty | (C)Q'ty | Remark |
|--------|---------------|--------------------|---------|---------|---------|--------|
| 1 | 51027-266-103 | HANDLE | 1 | | | |
| 2 | 51027-267-103 | HANDLE | 1 | | | |
| 3 | 11095-172 | LEVER | 1 | | | |
| 4 | 36110-102 | BUTTON | 1 | | | |
| 5 | 11049-109 | SLIDE PLATE | 1 | | | |
| 6 | 64014-336 | SHAFT | 1 | | | |
| 7 | 376L0612 | (+)TRUSS SCREW | 1 | | | |
| 8 | 71203-135 | ARM C.P. | 1 | | | |
| 9 | 76007-183 | BUSH | 1 | | | |
| 10 | 68013-371 | SPRING | 1 | | | |
| 11 | 31056-127 | GIB-HEADED PIN | 1 | | | |
| 12 | 576V0600 | PUSH NUT | 1 | | | |
| 13 | 68013-392 | SPRING | 1 | | | |
| 14 | 11109-111 | LINK | 1 | | | |
| 15 | 61023-190 | SLEEVE | 1 | | | |
| 16 | 64014-337 | SHAFT | 1 | | | |
| 17 | 812V0800 | C-SNAP RING | 1 | | | |
| 18 | 613L0800 | PLAIN WASHER | 1 | | | |
| 19 | 71161-114-09 | LEVER ASS Y | 1 | | | |
| 21 | 76007-131 | BUSH | 2 | | | |
| 22 | 68013-391 | SPRING | 1 | | | |
| 23 | 91010-147 | THRUST LEVER | 1 | | | |
| 24 | 61003-113 | THRUST PLATE | 1 | | | |
| 25 | 68013-356 | SPRING | 1 | | | |
| 26 | 31058-168 | HEXAGON NUT | 1 | | | |
| 27 | 11095-117 | LEVER | 1 | | | |
| 28 | 31062-109 | PRE-COAT LOCK BOLT | 1 | | | |
| 37 | 68013-161 | SPRING | 1 | | | |
| 38 | 71900-794 | COVER ASS Y | 1 | | | |
| 39 | 470L0514 | (+)TAPPING SCREW | 2 | | | |

Select brand ASUKA Product range Lawn Mower Model name LM5360KXA

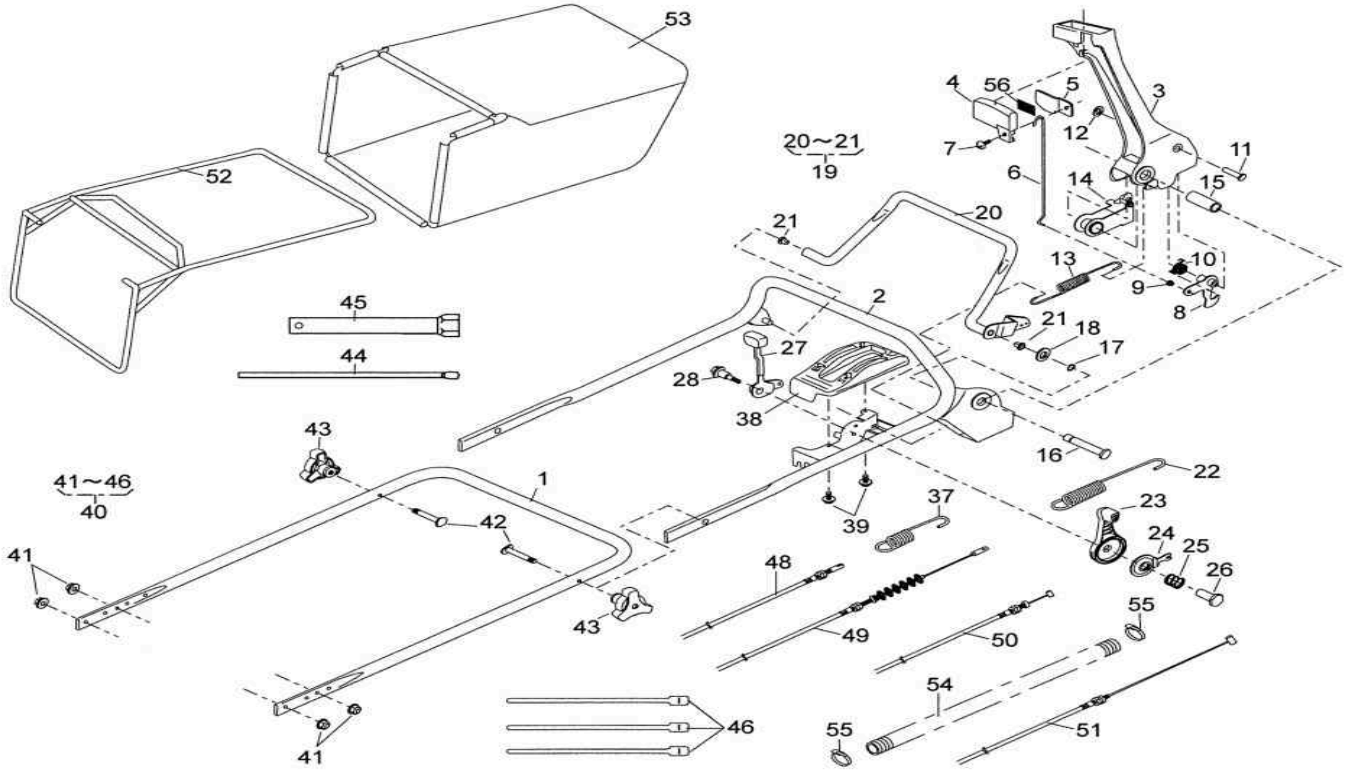
Select model code 619169 : LM5360KXA-169 RD ..Choose section HANDLE

Indicate component part ...Choose section

Indicate engine model Choose. Search ...Choose section

※Enter information in the green box to narrow down the search and then click the "Search" button.

| | | | |
|---------------|----------------------|-----------------------|------------|
| HANDLE | Date : 01. Feb, 2010 | Revision : 00 | Page : 1/2 |
| Brand : ASUKA | Model : LM5360KXA | Product Code : 619169 | |



- (A) LM5360KXA
- (B)
- (C)

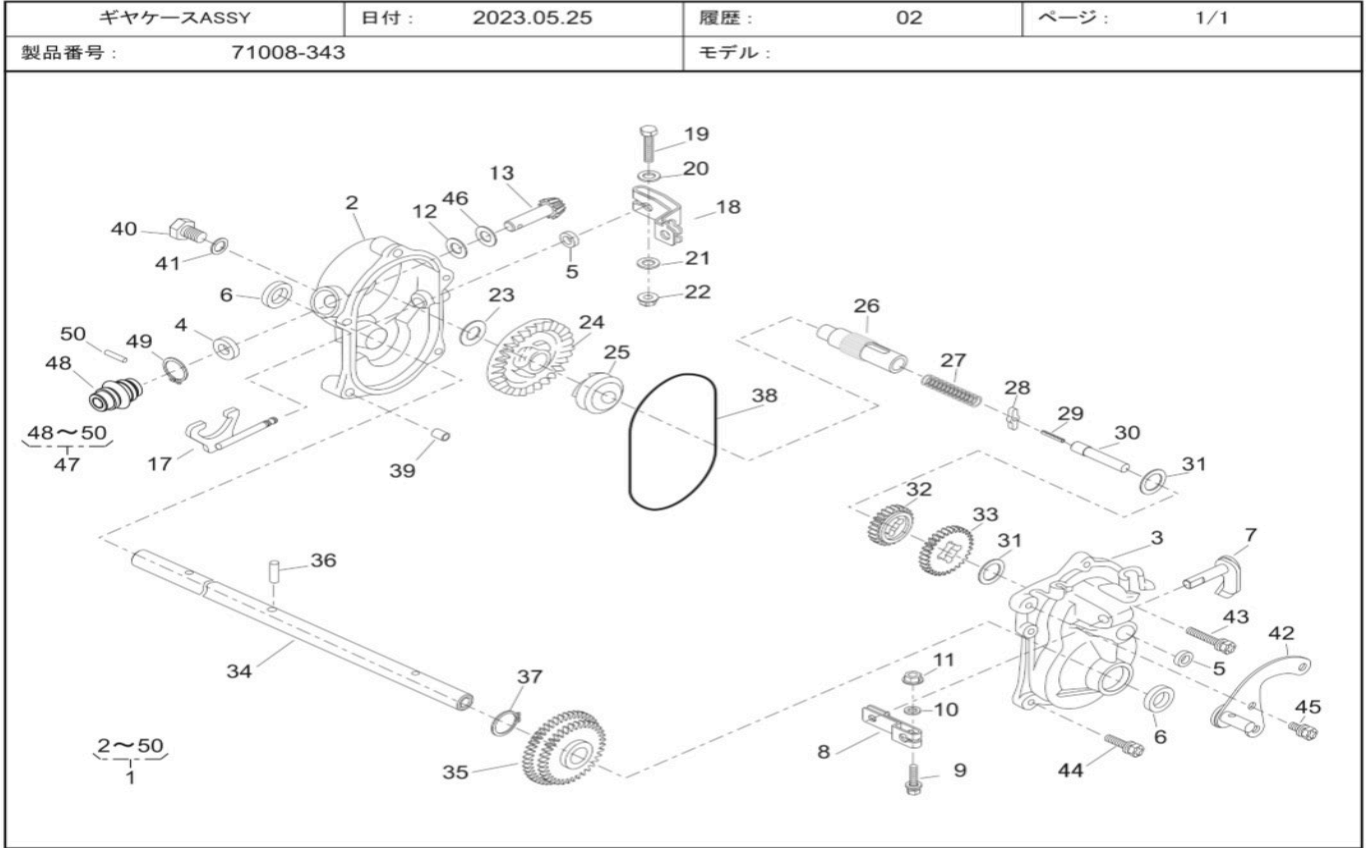
| | | | | | | |
|----|-----------|----------------------|---|--|--|--|
| 40 | 71906-141 | | 1 | | | |
| 41 | 569L0800 | FLANGE NYLON NUT | 4 | | | |
| 42 | 31057-134 | BOLT | 2 | | | |
| 43 | 36061-118 | KNOB | 2 | | | |
| 44 | 66008-103 | PLUG BOX BAR (8x200) | 1 | | | |
| 45 | 66006-125 | BOX SPANNER | 1 | | | |
| 46 | 68028-118 | WIRE BAND (GT280) | 3 | | | |
| 48 | 91003-125 | CONTROL CABLE(SPEED) | 1 | | | |
| 49 | 91003-180 | CONTROL CABLE(DRIVE) | 1 | | | |
| 50 | 91001-328 | THROTTLE WIRE | 1 | | | |
| 51 | 91003-168 | CONTROL CABLE(BBC) | 1 | | | |
| 52 | 11062-178 | FRAME C.P. | 1 | | | |
| 53 | 36098-136 | GRASS BAG C.P. | 1 | | | |
| 54 | 41003-201 | TUBE (15.6x800L) | 1 | | | |
| 55 | 68028-119 | WIRE BAND (SHT18R-W) | 2 | | | |
| 56 | 36080-156 | RUBBER SHEET | 1 | | | |

Select brand: ASUKA Product range: Lawn Mower Model name: LM5360KXA

Select model code: 619169 : LM5360KXA-169 RD ...Choose section: GEAR CASE ASS Y

Indicate component part: ...Choose section: ...Choose section: ...Choose section:

※Enter information in the green box to narrow down the search and then click the "Search" button.



- (A)
- (B)
- (C)

| Ref.No | Parts.No | Parts.Name | (A)Q'ty | (B)Q'ty | (C)Q'ty | Remark |
|--------|-----------|--------------------|---------|---------|---------|--------|
| 1 | 71008-343 | GEAR CASE ASS Y | 1 | | | |
| 2 | 51001-195 | GEAR CASE | 1 | | | |
| 3 | 51001-196 | GEAR CASE | 1 | | | |
| 4 | 61002-161 | OIL SEAL (SD10205) | 1 | | | |
| 5 | 61002-162 | OIL SEAL (SD08144) | 2 | | | |
| 6 | 61002-163 | OIL SEAL (SD15245) | 2 | | | |
| 7 | 64024-104 | SHIFTER SHAFT | 1 | | | |
| 8 | 11104-119 | ARM | 1 | | | |
| 9 | 320L0525 | (+)HEX. BOLT(W/PW) | 1 | | | |
| 10 | 611L0500 | PLAIN WASHER | 1 | | | |
| 11 | 571L0500 | FLANGE NUT | 1 | | | |
| 12 | 61003-109 | THRUST PLATE | 1 | | | |
| 13 | 78003-130 | PINION | 1 | | | |
| 17 | 11097-120 | SHIFTER FORK | 1 | | | |
| 18 | 11104-137 | ARM | 1 | | | |
| 19 | 311M0630 | HEX. BOLT | 1 | | | |
| 20 | 611L0600 | PLAIN WASHER | 1 | | | |
| 21 | 613L0600 | PLAIN WASHER | 1 | | | |
| 22 | 571L0600 | # FLANGE NUT | 1 | | | |
| 23 | 61003-122 | THRUST PLATE | 1 | | | |
| 24 | 78001-162 | BEVEL GEAR | 1 | | | |
| 25 | 11129-107 | CLUTCH | 1 | | | |
| 26 | 64014-236 | SHAFT | 1 | | | |
| 27 | 68013-262 | SPRING | 1 | | | |
| 28 | 31034-199 | PIN | 1 | | | |
| 29 | 736U0320 | SPRING PIN | 1 | | | |
| 30 | 64014-235 | SHAFT | 1 | | | |
| 31 | 61024-118 | SPACER | 2 | | | |
| 32 | 78004-254 | GEAR | 1 | | | |
| 33 | 78004-255 | GEAR | 1 | | | |

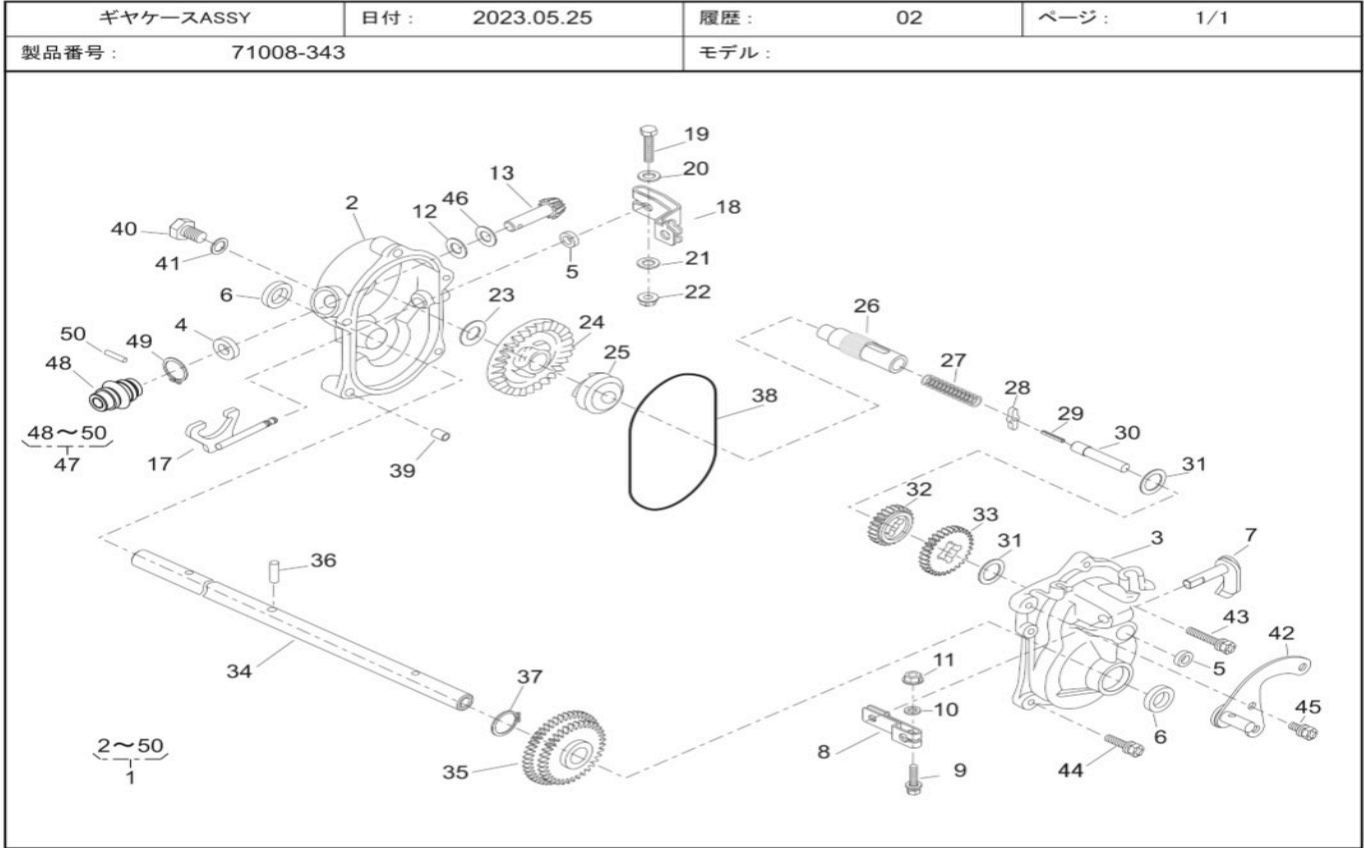
Select brand ASUKA Product range Lawn Mower Model name LM5360KXA

Select model code 619169 : LM5360KXA-169 RD ..Choose section GEAR CASE ASS Y

Indicate component part ...Choose section

Indicate engine model Choose. ...Choose section

※Enter information in the green box to narrow down the search and then click the "Search" button.



- (A)
- (B)
- (C)

| | | | | | | |
|----|-----------|--------------------|-----|--|--|--|
| 34 | 64014-163 | SHAFT | 1 | | | |
| 35 | 78012-134 | GEAR C.P. | 1 | | | |
| 36 | 31034-150 | PIN | 1 | | | |
| 37 | 812V2200 | C-SNAP RING | 1 | | | |
| 38 | 214B11000 | O-RING S110 | 1 | | | |
| 39 | 11083-201 | COLLAR | 2 | | | |
| 40 | 31057-262 | BOLT | 1 | | | |
| 41 | 68001-110 | FIBER WASHER | 1 | | | |
| 42 | 11006-165 | STAY C.P. | 1 | | | |
| 43 | 315L0625 | HEX. BOLT(W/SW.PW) | 3 | | | |
| 44 | 315L0635 | HEX. BOLT(W/SW.PW) | 2 | | | |
| 45 | 318L0612 | (+)HEX. BOLT(W/SW) | 1 | | | |
| 46 | 68007-132 | SHIM (10.5x18x0.3) | 0~2 | | | |
| 47 | 91097-101 | UNIVERSAL JOINT | 1 | | | |
| 49 | 812V2000 | C-SNAP RING | 1 | | | |
| 50 | 717B0418 | PARALLEL PIN | 1 | | | |

Print Menu

Select brand ASUKA Product range Lawn Mower Model name LM5360KXA

Select model code 619169 : LM5360KXA-169 RD ..Choose section BBC UNIT

Indicate component part ...Choose section

Indicate engine model Choose. ...Choose section

※Enter information in the green box to narrow down the search and then click the "Search" button.

ブレーキセット 日付: 2013.02.15 履歴: 02 ページ: 1/1

製品番号: 71182-111 モデル:

- (A) 71182-111
- (B)
- (C)

| Ref.No | Parts.No | Parts.Name | (A)Q`ty | (B)Q`ty | (C)Q`ty | Remark |
|--------|-----------|-----------------|---------|---------|---------|--------|
| 1 | 71182-111 | BRAKE SET (BBC) | 1 | | | |
| 2 | 71067-119 | BRAKE ASS Y | 1 | | | |
| 3 | L51294700 | BOLT | 4 | | | |
| 4 | L50749600 | WASHER | 1 | | | |
| 5 | 68013-320 | SPRING | 4 | | | |
| 6 | 611L0800 | PLAIN WASHER | 4 | | | |
| 7 | 61024-149 | SPACER | 1 | | | |

Print

Menu

Select brand ASUKA

Product range

Lawn Mower

Model name

LM5360KXA

Search

Select model code 619169 : LM5360KXA-169 RD

..Choose section COVER UNIT

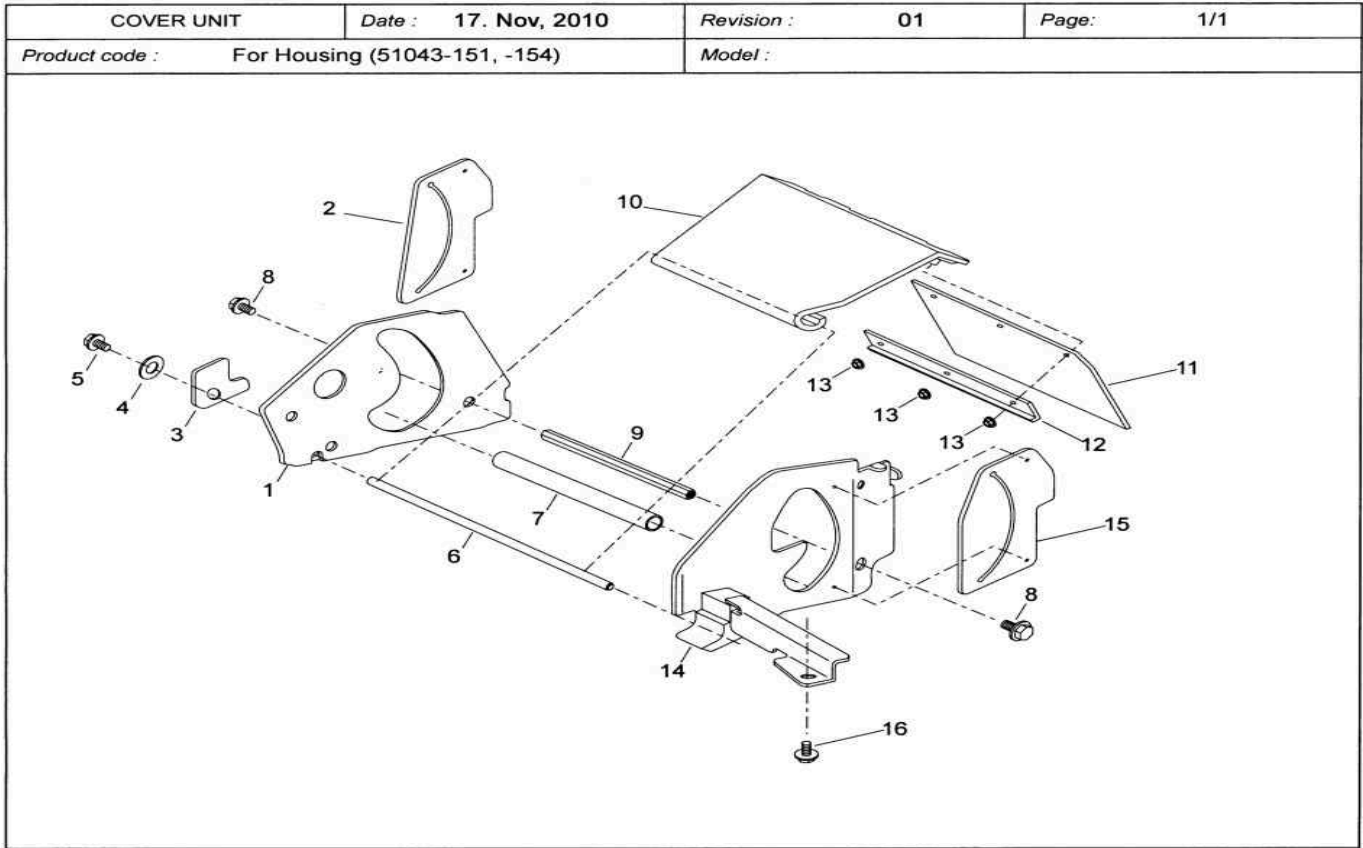
Indicate component part

..Choose section

Indicate engine model Choose. Search

..Choose section

※Enter information in the green box to narrow down the search and then click the "Search" button.



(A) For Housing (51043-151.-154)

(B)

(C)

| Ref.No | Parts.No | Parts.Name | (A)Q`ty | (B)Q`ty | (C)Q`ty | Remark |
|--------|-----------|---------------------|---------|---------|---------|--------|
| 1 | 11006-166 | STAY C.P. | 1 | | | |
| 2 | 36080-154 | RUBBER SHEET | 1 | | | |
| 3 | 11113-420 | STAY | 1 | | | |
| 4 | 613L0800 | PLAIN WASHER | 1 | | | |
| 5 | 423U0812 | SOCKET SCREW FLANGE | 1 | | | |
| 6 | 64014-373 | SHAFT | 1 | | | |
| 7 | 11083-387 | COLLAR | 1 | | | |
| 8 | 31057-181 | BOLT | 2 | | | |
| 9 | 64014-374 | SHAFT | 1 | | | |
| 10 | 51079-124 | COVER C.P. | 1 | | | |
| 11 | 36080-153 | RUBBER SHEET | 1 | | | |
| 12 | 11050-182 | FIXING PLATE | 1 | | | |
| 13 | 569L0400 | FLANGE NYLON NUT | 3 | | | |
| 14 | 11006-167 | STAY C.P. | 1 | | | |
| 15 | 36080-155 | RUBBER SHEET | 1 | | | |
| 16 | 342L0612 | FLANGE TAPPING BOLT | 1 | | | |